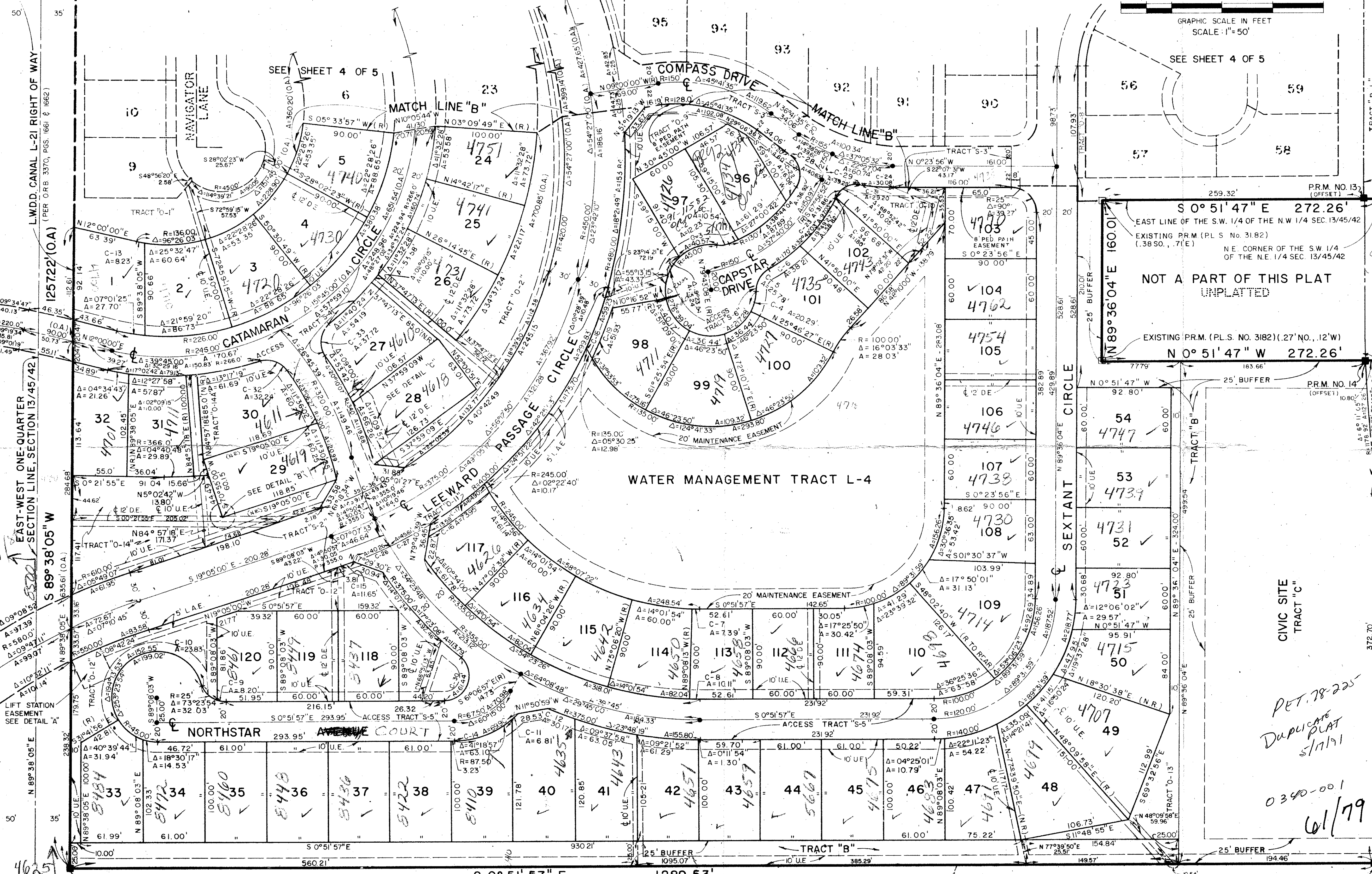
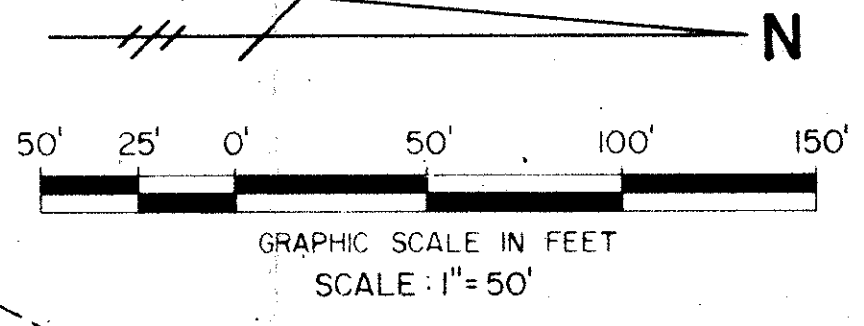


WINDWARD PALM BEACH (A P.U.D.)

BEING A PLAT OF A PORTION OF SECTION 13, TOWNSHIP 45
SOUTH, RANGE 42 EAST, PALM BEACH COUNTY, FLORIDA
AUGUST, 1988

SHEET 5 OF 5 SEE SHEET 4 OF 5



NOT A PART OF THIS PLAT UNPLATTED

EAST LINE OF THE S.W. 1/4 OF THE N.W. 1/4 SEC. 13/45/42
EXISTING PRM (P.L.S. No. 3182)
(.38 SO., .71'E)
NE CORNER OF THE SW 1/4
OF THE NE 1/4 SEC. 13/45/42

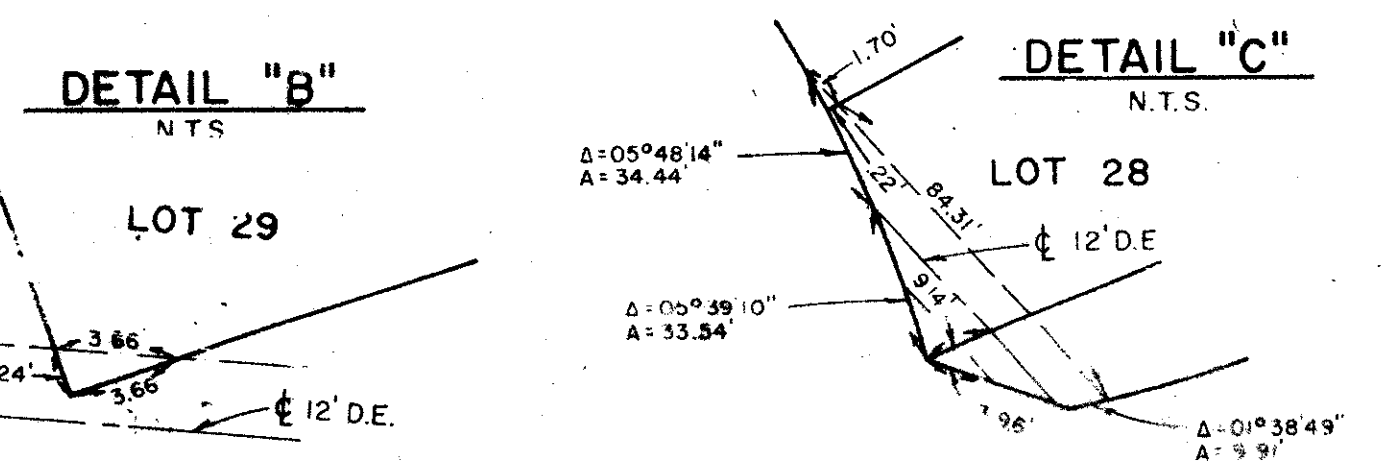
EXISTING PRM. (P.L.S. No. 3182) (.27' NO., .12' W)
N 0° 51' 47" W 272.26'

WHITEFEATHER BLVD.
N 89° 36' 04" E 225.56'
OLD MILITARY TRAIL R/W
(PER O.R.B. 192, PGS. 206-208)

499.53'
N 89° 36' 04" E

| CURVE NO. | RADIUS | DELTA | ARC |
|-----------|---------|------------|--------|
| C-1 | 130.00' | 04°38'42" | 10.54' |
| C-2 | 25.00' | 28°02'09" | 12.23' |
| C-3 | 45.00' | 51°39'21" | 40.57' |
| C-4 | 45.00' | 25°49'47" | 20.29' |
| C-5 | 25.00' | 59°05'13" | 25.78' |
| C-6 | 170.00' | 12°52'36" | 38.21' |
| C-7 | 245.00' | 01°43'44" | 7.39' |
| C-8 | 335.00' | 01°43'44" | 10.11' |
| C-9 | 25.00' | 18°47'06" | 8.20' |
| C-10 | 25.00' | 54°36'48" | 23.83' |
| C-11 | 87.50' | 04°27'26" | 6.81' |
| C-12 | 375.00' | 04°36'34" | 30.17' |
| C-13 | 136.00' | 03°27'57" | 8.23' |
| C-14 | 87.50' | 45°46'23" | 69.90' |
| C-15 | 405.00' | 01°38'53" | 11.65' |
| C-16 | 415.00' | 10°12'33" | 73.95' |
| C-17 | 405.00' | 09°10'55" | 69.90' |
| C-18 | 405.00' | 08°22'46" | 59.23' |
| C-19 | 415.00' | 07°10'10" | 51.93' |
| C-20 | 177.00' | 01°29'18" | 4.60' |
| C-21 | 25.00' | 84°37'12" | 36.92' |
| C-22 | 130.00' | 07°04'40" | 16.06' |
| C-23 | 25.00' | 73°00'28" | 31.86' |
| C-24 | 177.00' | 09°44'14" | 30.08' |
| C-25 | 480.00' | 05°20'21" | 44.73' |
| C-26 | 405.00' | 05°41'43" | 40.26' |
| C-27 | 405.00' | 06°27'11" | 45.61' |
| C-28 | 177.00' | 13°09'10" | 40.63' |
| C-29 | 177.00' | 12°42'50" | 39.88' |
| C-30 | 25.00' | 140°48'18" | 61.44' |
| C-31 | 177.00' | 09°27'13" | 29.20' |
| C-32 | 25.00' | 73°53'11" | 32.24' |
| C-33 | 25.00' | 86°26'36" | 37.72' |
| C-34 | 25.00' | 04°07'47" | 1.50' |
| C-35 | 345.00' | 07°17'32" | 42.00' |
| C-36 | 345.00' | 06°12'29" | 42.00' |

Windward Palm Beach
61 B
34
7/19/88
RS 78-225
33463
M.D.
01/15/88



EAST LINE OF THE WEST 1/2 OF THE
SOUTHEAST 1/4 OF THE NORTHWEST 1/4
OF SEC 13 / 45 / 42

METRIC ENGINEERING INC.
ENGINEERS - PLANNERS - SURVEYORS
MIAMI - WEST PALM BEACH

WINDWARD PALM
SHEET

PET. 78-225
DUPLICATE PLAT
5/17/91
0390-001
6/1/79